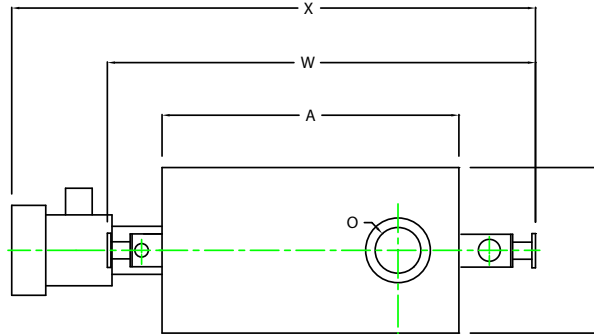
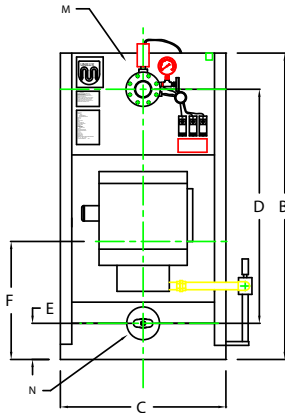


ZF0350W

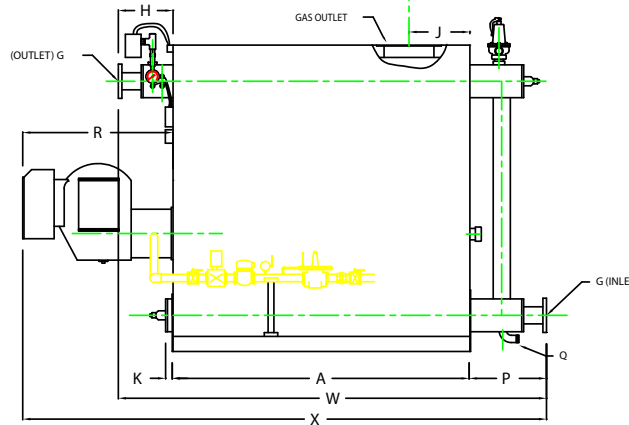


PLAN

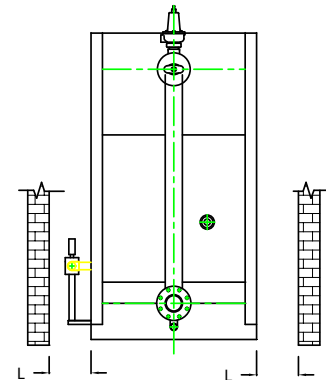
CHIMNEY FLANGE DIMS:
 O.D. = 17"
 I.D. = 12-1/4"
 B.C.D = 14-1/2"
 NO. OF HOLES = 8
 HOLE DIAMETER = 0.53"



FRONT VIEW



SIDE VIEW



REAR VIEW

BOILER MODEL - ZF350W		INCHES	METRIC
A	LENGTH OF BASE	78	1981
A1	LENGTH OF SUPPORT FROM BASE	-	-
B	HEIGHT	80 1/2	2044
C	WIDTH OF BASE	43 1/2	1105
D	CTR. LOWER DRUM TO CTR. UPPER DRUM	61 1/2	1562
E	CENTER OF LOWER DRUM TO BOTTOM	9 1/2	241
F	CENTER OF BURNER OPENING TO BOTTOM	31	787
G	INLET / OUTLET FLANGE, CLASS 150	4	102
H	NOZZLE CLEARANCE FROM TOP, FRONT	14 1/4	362
J	CENTER OF FLUE GAS OUTLET TO REAR	16	406
K	DRUM CLEARANCE FROM BASE, FRONT	1 3/4	44
L	TUBE REMOVAL CLEARANCE FROM BASE	26	660
M	UPPER DRUM, OD, NPS	8 5/8	219
N	LOWER DRUM, OD, NPS	8 5/8	219
O	FLUE GAS OUTLET, ID	12	305
P	NOZZLE CLEARANCE FROM BASE, REAR	20 1/8	511
Q	BLOWDOWN, NPT	1 1/2	38
R	BURNER DIMENSION	39 1/2	1003
W	OVERALL BOILER LENGTH	112 3/8	2854
X	OVERALL BOILER LENGTH WITH BURNER	137 5/8	3496

NOTE: "X" DIMENSION MAY VARY BASED ON BURNER

NOTE: DIMENSIONS SUBJECT TO CHANGE WITHOUT NOTICE
 CONSULT FACTORY FOR CERTIFIED DIMENSIONS.

	UNILUX ADVANCED MFG., LLC 30 COMMERCE PARK DRIVE NISKAYUNA, NY 12309 Ph: (518) 344-7490 Fax: (518) 344-7495		
	<small>THIS DRAWING EXCEPT AS A CONFIDENTIAL, PROPRIETARY DESIGN, ALL RIGHTS FOR REPRODUCTION, TRANSMISSION OR PASTORAL ARE RESERVED BY UNILUX BOILER CORP.</small>		
PROJECT:			
LOCATION:			
Model Sizes:	ZF 350W		
BURNER:			
ELECTRIC SUPPLY PSI:			
Drawn By:	RIZ RACAIZA	Date:	05AUG09
Checked By:	DAVID RAMSON	Date:	05AUG09
Drawing No.:	QB000000	Scale:	NTS
File No.:	JB000000	REV:	0