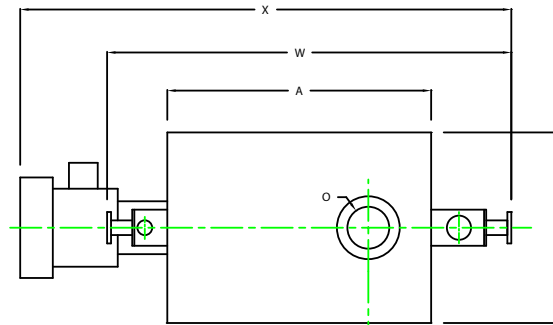
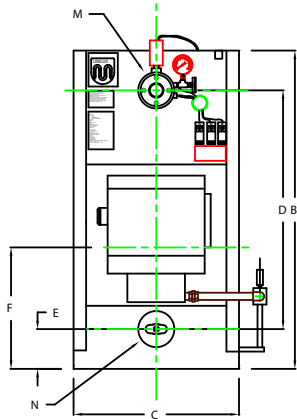


# ZF0200W

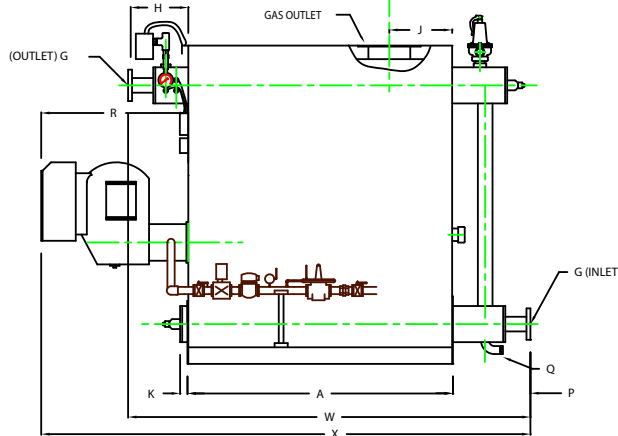


CHIMNEY FLANGE DIMS:  
 O.D. = 15"  
 I.D. = 10-1/4"  
 B.C.D = 12-1/2"  
 NO. OF HOLES = 6  
 HOLE DIAMETER = 0.53"

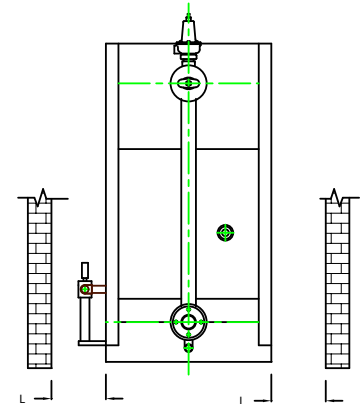
PLAN



FRONT VIEW



SIDE VIEW



REAR VIEW

	BOILER MODEL - ZF200W	INCHES	METRIC
A	LENGTH OF BASE	63	1600
A1	LENGTH OF SUPPORT FROM BASE	-	-
B	HEIGHT	76	1930
C	WIDTH OF BASE	39 1/2	1003
D	CTR. LOWER DRUM TO CTR. UPPER DRUM	57	1448
E	CENTER OF LOWER DRUM TO BOTTOM	9 1/2	241
F	CENTER OF BURNER OPENING TO BOTTOM	29	737
G	INLET / OUTLET FLANGE, CLASS 150	3	76
H	NOZZLE CLEARANCE FROM TOP FRONT	14 1/4	362
J	CENTER OF FLUE GAS OUTLET TO REAR	15	381
K	DRUM CLEARANCE FROM BASE, FRONT	1 3/4	44
L	TUBE REMOVAL CLEARANCE FROM BASE	22	559
M	UPPER DRUM, OD, NPS	8 5/8	219
N	LOWER DRUM, OD, NPS	8 5/8	219
O	FLUE GAS OUTLET ID	10	254
P	NOZZLE CLEARANCE FROM BASE, REAR	19 1/8	486
Q	BLOWDOWN, NPT	1 1/2	38
R	BURNER DIMENSION	35 1/8	892
W	OVERALL BOILER LENGTH	96 3/8	2448
X	OVERALL BOILER LENGTH WITH BURNER	117 1/4	2978

NOTE: DIMENSIONS SUBJECT TO CHANGE WITHOUT NOTICE  
 CONSULT FACTORY FOR CERTIFIED DIMENSIONS.

NOTE: "X" DIMENSION MAY VARY BASED ON BURNER

	UNILUX ADVANCED MFG, LLC		
	30 COMMERCE PARK DRIVE NISKAYUNA, NY 12039 Ph: (518) 344-7490 Fax: (518) 344-7495		
<small>THIS DRAWING PROCEDURE IS A CONFIDENTIAL, PROPRIETARY DESIGN. ALL RIGHTS FOR REPRODUCTION, MANUFACTURING OR OTHERS ARE RESERVED BY UNILUX BOILER CORP.</small>			
PROJECT:	-		
LOCATION:	-		
Model Sizes:	ZF 200W		
BURNER:	-		
ELECTRIC:	-		
SUPPLY PSI:	-		
Drawn By:	RIZ RACAIZA	Date:	05AUG09
Checked By:	DAVID RAMSON	Date:	05AUG09
Drawing No.:	QB00000	Scale:	NTS
File No.:	JB00000	REV:	0