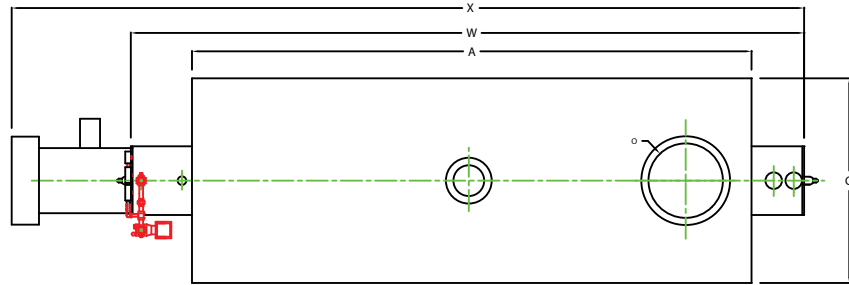
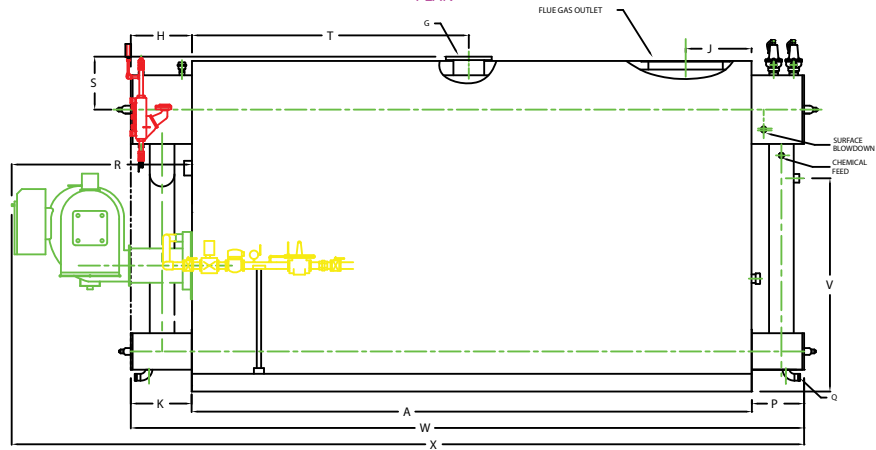


ZF2000LS

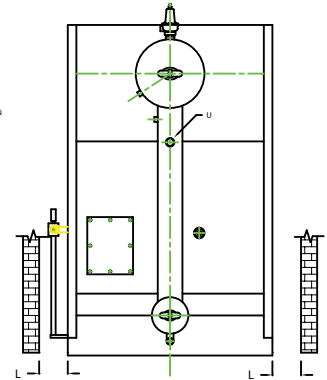


CHIMNEY FLANGE DIMS:
 O.D. = 31"
 I.D. = 26-1/4"
 B.C.D. = 28-1/2"
 NO. OF HOLES = 12
 HOLE DIAMETER = 0.53"

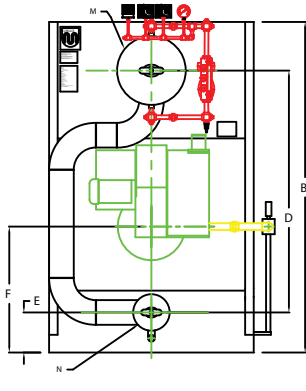
PLAN



SIDE VIEW



REAR VIEW




FRONT VIEW

NOTE: DIMENSIONS SUBJECT TO CHANGE WITHOUT NOTICE
 CONSULT FACTORY FOR CERTIFIED DIMENSIONS.

BOILER MODEL - ZF2000LS	INCHES	METRIC
A. LENGTH OF BASE	195 7/8	4975
A1. LENGTH OF SUPPORT FROM BASE	1	25.4
B. HEIGHT	115 5/16	2929
C. WIDTH OF BASE	71 1/2	1816
D. CTR. LOWER DRUM TO CTR. UPPER DRUM	64 1/2	1640
E. CENTER OF LOWER DRUM TO BOTTOM	13 13/16	351
F. CENTER OF BURNER OPENING TO BOTTOM	42 5/8	1083
G. OUTLET FLANGE CLASS 150	19	486
H. DRUM CLEARANCE FROM TOP FRONT	21 7/8	556
I. CENTER OF FLUE GAS OUTLET TO REAR	22	560
J. DRUM CLEARANCE FROM BASE FRONT	23 1/8	593
K. TUBE REMOVAL CLEARANCE FROM BASE	54	1372
L1. UPPER DRUM O.D. NPS	24	610
L2. LOWER DRUM O.D. NPS	12 3/4	324
O. FLUE GAS OUTLET I.D.	26	660
P. DRUM CLEARANCE FROM BASE REAR	18 1/8	460
Q. BLOWDOWN NPT	2	51
R. BURNER DIMENSION	63	1168
S. CENTER OF TOP DRUM TO TOP OF OUTLET	16 3/4	420
T. CENTER OF OUTLET TO ENCLOSURE FRONT	95 7/8	2440
U. INLET, 3000 PSI ASA HALF COUPLING	2 1/2	64
V. HEATER/WATER INLET FROM BASE	74 5/16	1890
W. OVERALL BOILER LENGTH	235 7/8	5991
X. OVERALL BOILER LENGTH W/ BURNER	277	7036

NOTE: "X" DIMENSION MAY VARY BASED ON BURNER

 UNILUX ADVANCED MFG., LLC. 30 COMMERCE PARK DRIVE NEWAYAMA, NJ 12309 PH: (518) 344-7490 FAX: (518) 344-7495	
PROJECT #:	
LOCATION:	
Model Name:	ZF-2000LS
BURNER:	
ITEM NO.:	
Drawn By:	107.646.422
Checked By:	107.646.422
Drawing No.:	08000000
File No.:	08000000
Date:	05/01/2020
Scale:	1:1
REV:	0