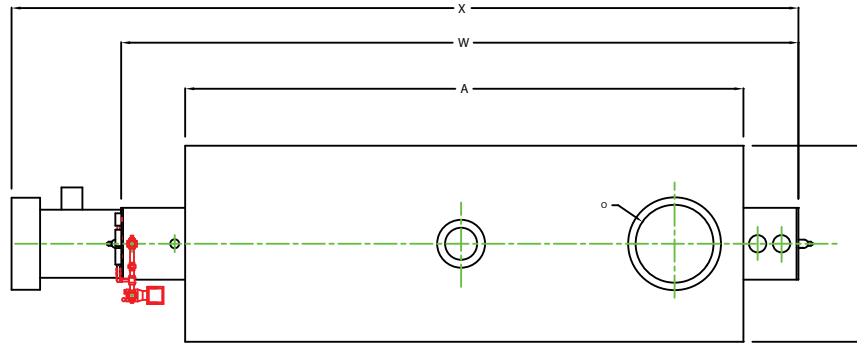
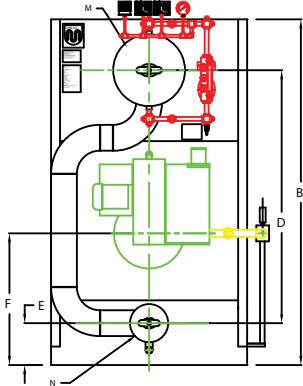


ZF1800LS

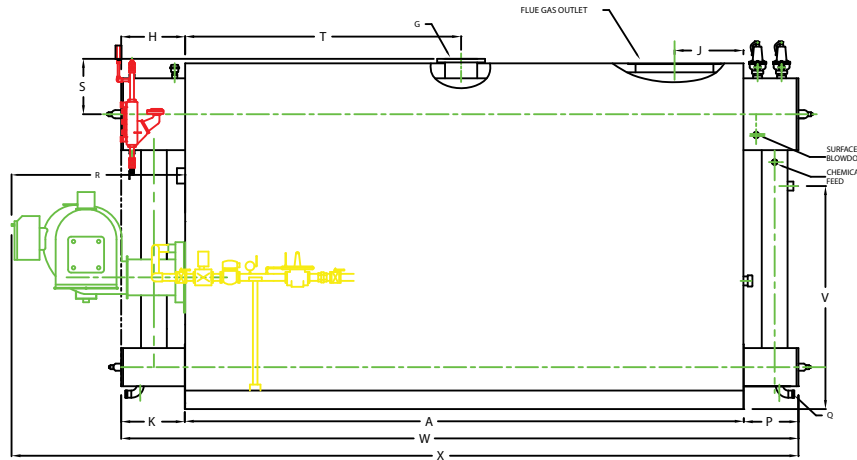


PLAN

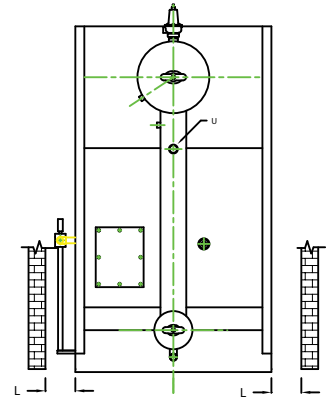
CHIMNEY FLANGE DIMS:
 O.D. = 31"
 I.D. = 26-1/4"
 B.C.D = 28-1/2"
 NO. OF HOLES = 12
 HOLE DIAMETER = 0.53"



FRONT VIEW



SIDE VIEW




REAR VIEW

NOTE: DIMENSIONS SUBJECT TO CHANGE WITHOUT NOTICE
 CONSULT FACTORY FOR CERTIFIED DIMENSIONS.

BOILER MODEL - ZF1800LS	INCHES	METRIC
A LENGTH OF BASE	1386 7/8	4747
A1 LENGTH OF SUPPORT FROM BASE	-	-
B HEIGHT	115 5/16	2929
C WIDTH OF BASE	65 1/2	1664
D CTR. LOWER DRUM TO CTR. UPPER DRUM	84 1/2	2146
E CENTER OF LOWER DRUM TO BOTTOM	43 13/16	351
F CENTER OF BURNER OPENING TO BOTTOM	42 5/8	1089
G OUTLET FLANGE CLASS 150	10	254
H DRUM CLEARANCE FROM TOP FRONT	31 7/8	356
J CENTER OF FLUE GAS OUTLET TO REAR	33	848
K DRUM CLEARANCE FROM BASE FRONT	31 1/8	337
L TUBE REMOVAL CLEARANCE FROM BASE	48	1219
M UPPER DRUM O.D. NPS	24	610
N LOWER DRUM O.D. NPS	12 3/4	326
O FLUE GAS OUTLET I.D.	26	660
P DRUM CLEARANCE FROM BASE REAR	18 1/8	460
Q BLOWDOWN NPT	2	51
R BURNER DIMENSION	58	1473
S CENTER OF TOP DRUM TO TOP OF OUTLET	18 1/2	470
T CENTER OF OUTLET TO ENCLOSURE FRONT	92 5/16	2345
U INLET 3000 PPS ASA HALF COUPLING	2 1/2	64
V FEEDWATER INLET FROM BASE	74 5/16	1888
W OVERALL BOILER LENGTH	226 7/8	5783
X OVERALL BOILER LENGTH W/ BURNER	363	6680

NOTE: "X" DIMENSION MAY VARY BASED ON BURNER

 LINFLUX ADVANCED MFG., LLC. 30 COMMERCE PARK DRIVE NIKAUVANA, NY 12309 PH: (518) 344-7450 FAX: (518) 344-7495	
<small>THIS DRAWING IS THE PROPERTY OF LINFLUX ADVANCED MFG., LLC. IT IS TO BE USED FOR THE PROJECT AND NOT TO BE REPRODUCED OR TRANSMITTED IN ANY FORM OR BY ANY MEANS, ELECTRONIC OR MECHANICAL, WITHOUT THE WRITTEN PERMISSION OF LINFLUX ADVANCED MFG., LLC.</small>	
PROJECT:	
LOCATION:	
MOBILE STATE:	ZF1800LS
BURNER:	
ELEC TRC:	
DRAWN BY:	DS KACAZA Date: 05/ALG09
CHECKED BY:	DAVID RAMSDELL Date: 05/ALG09
DRAWING NO.:	38000000 Scale: NTS
FILE NO.:	18000000
REV.:	1