

4

3

2

1

**BOILER DATA**

OPERATING VOLUME (USG)	1640
OPERATING WEIGHT (LBS)	30500
HEAT INPUT (MBH)	10210
OUTPUT (HP)	250

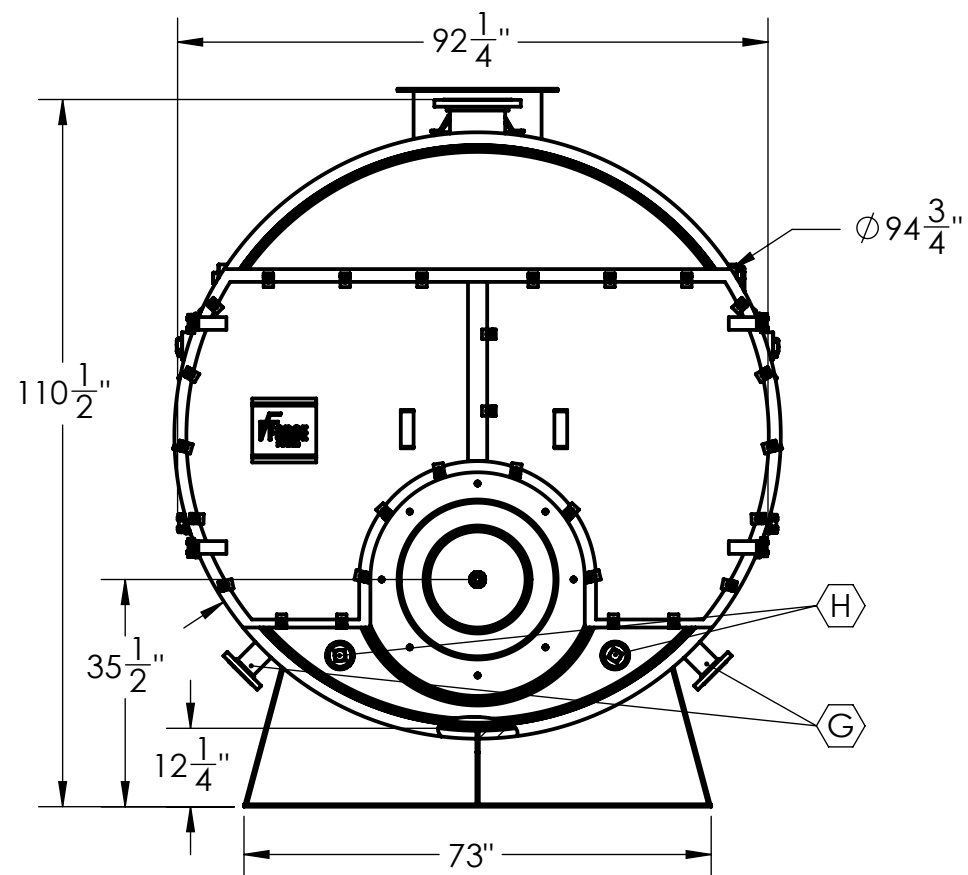
**VENT FLANGE DIMENSIONS**

OD	25
ID	20
B.C.D.	22.5
NO. OF HOLES	8
HOLE DIAMETER	1/2

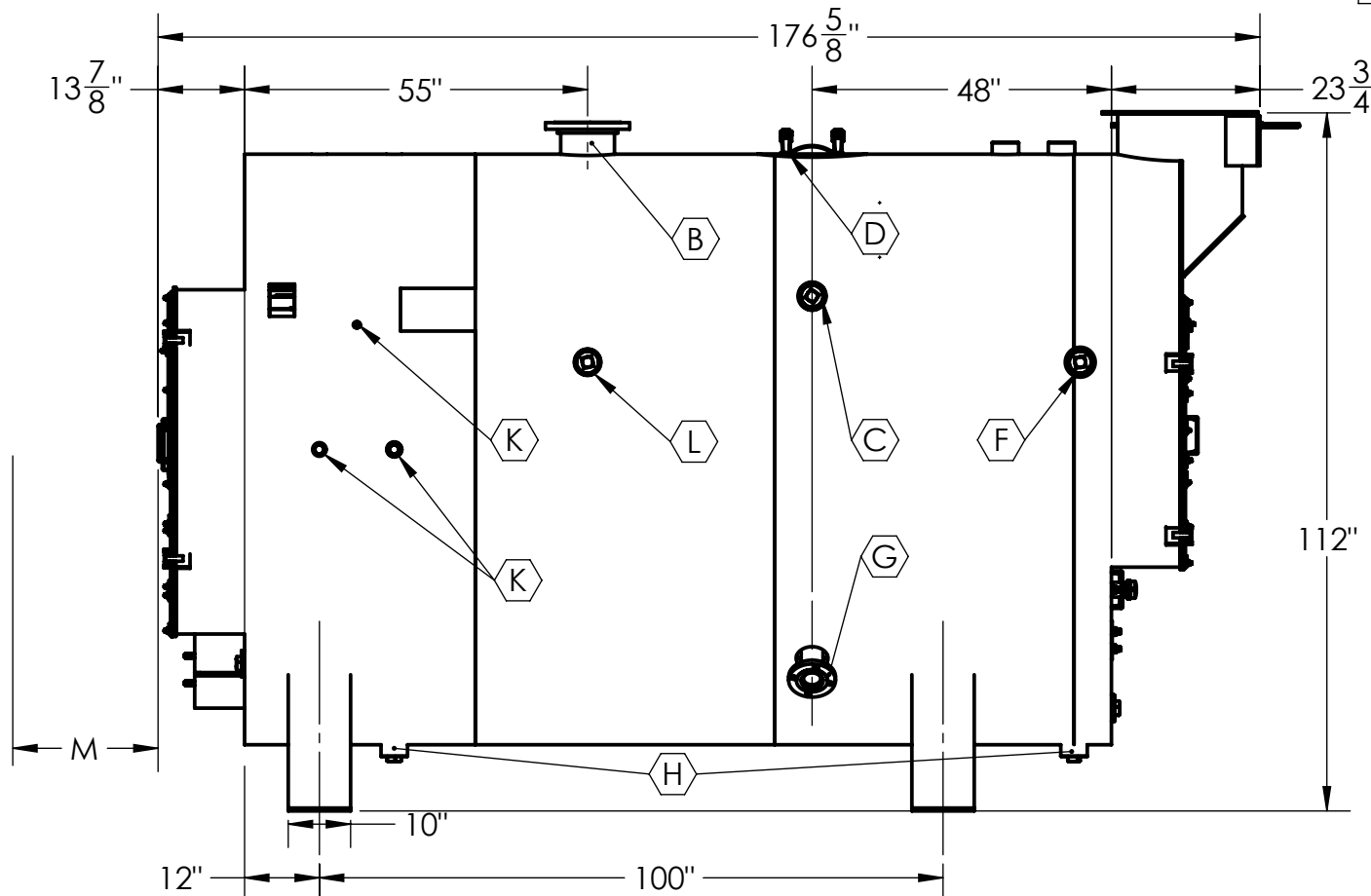
**CONNECTION SCHEDULE**

TAG	DESCRIPTION	CONNECTION		
		SIZE (INCH)	TYPE	RATING
A*	CONTROLS	1-1/4	HALF COUPLING	3000#
B	STEAM OUTLETS	8	SORF FLANGE	150#
C*	SURFACE BLOWDOWN	3	FULL COUPLING	3000#
D	MANHOLE	12X16	ELLIPTICAL	
E	SAFETY RELIEF VALVE	3	FULL COUPLING	3000#
F*	REVERSING CHAMBER WASHOUT	3	FULL COUPLING	3000#
G*	CONDENSATE INLET	3	SORF FLANGE	150#
H	WASHOUTS	3	FULL COUPLING	3000#
J	REAR DOOR	16		
K*	LOW FIRE HOLD	1/2	FULL COUPLING	3000#
L*	FURNACE INSPECTION	3	FULL COUPLING	3000#
M	TUBE PULL	140		

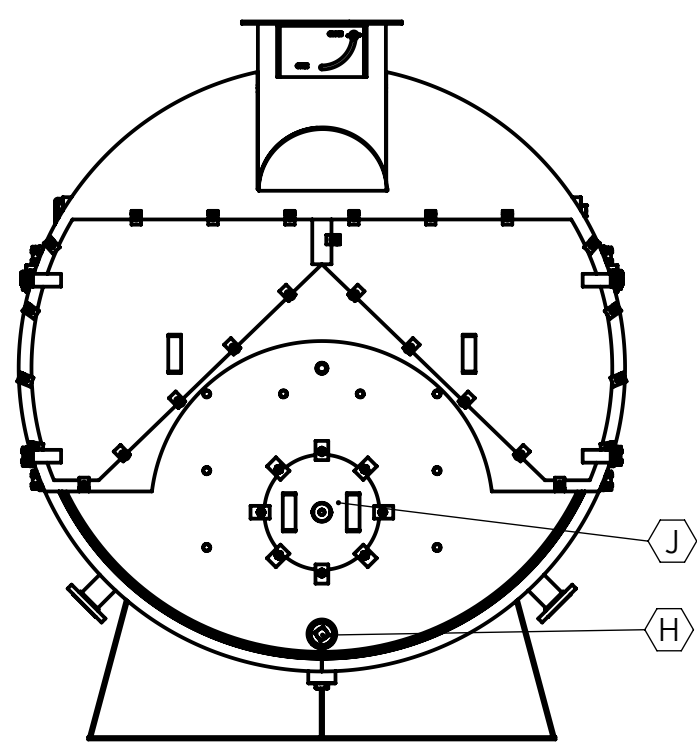
\* - Owner chooses left/right installation



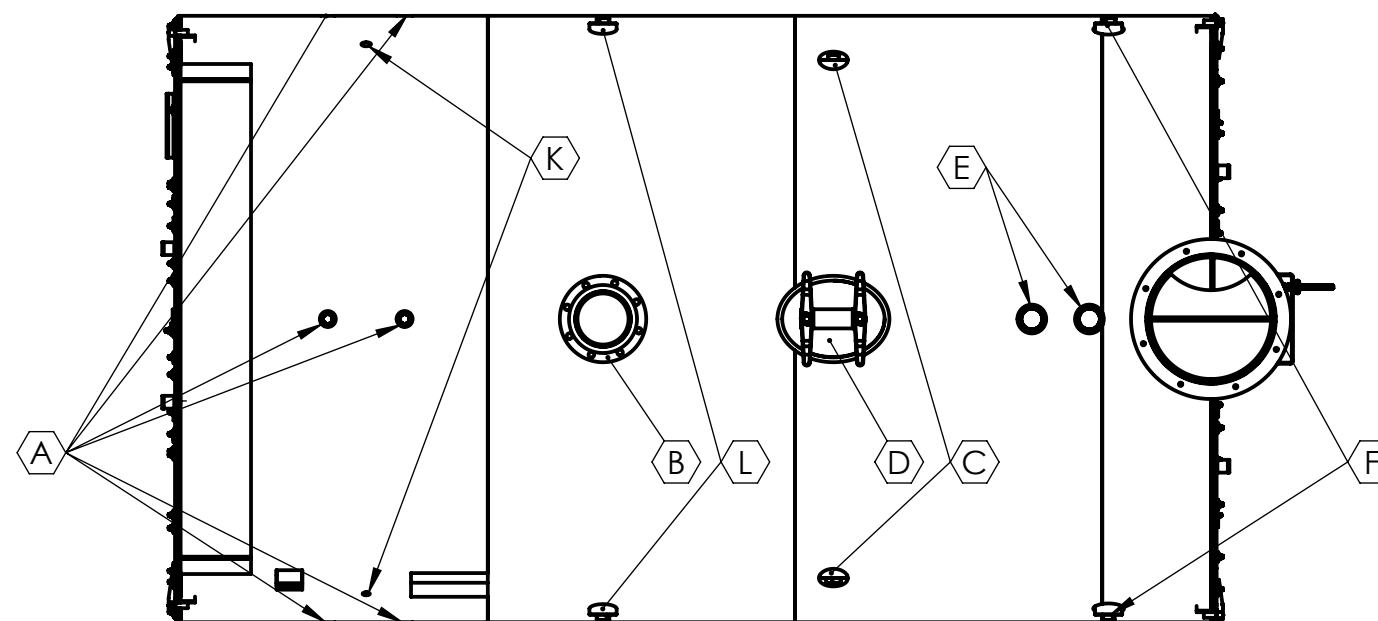
FRONT VIEW



SIDE VIEW



REAR VIEW



TOP VIEW

1. ADEQUATE BOIL OUT PROCEDURES MUST BE IMPLEMENTED BEFORE BOILER PLACED IN SERVICE (SEE OPERATION MANUAL).
2. PROPER WATER TREATMENT PROGRAM IS CRITICAL TO THE OPERATION OF THIS BOILER.
3. WARRANTIES, EXPRESSED OR IMPLIED, WILL BE RENDERED NULL AND VOID IF PROPER WATER TREATMENT PROGRAM IS NOT IMPLEMENTED AND MAINTAINED. CONSULT LOCAL WATER TREATMENT SPECIALISTS FOR DESIGN AND SUPPLY OF REQUIRED WATER TREATMENT SYSTEM.
4. ALL DIMENSIONS FOR REFERENCE ONLY.

**PROPRIETARY AND CONFIDENTIAL**  
 THE INFORMATION CONTAINED IN THIS DRAWING IS THE SOLE PROPERTY OF FORCE POWER. ANY REPRODUCTION IN PART OR AS A WHOLE WITHOUT THE WRITTEN PERMISSION OF FORCE POWER IS PROHIBITED.

UNLESS OTHERWISE SPECIFIED:		NAME	DATE	30 Commerce Park Drive Niskayuna, NY, 12309, USA PH. (518) 377-2349, FAX (518) 344-7495
DIMENSIONS ARE IN INCHES		DRAWN	SR	
TOLERANCES:		CHECKED		
ANGULAR: ± 0.25°		ENG APPR.		
TWO PLACE DECIMAL ± .010"		MFG APPR.		
THREE PLACE DECIMAL ± .005"		Q.A.		
SURFACE FINISH		COMMENTS:		
INTERPRET GEOMETRIC TOLERANCING PER: ANSI Y14.5				
MATERIAL SEE NOTE 1				
FINISH SEE NOTE 3				
NEXT ASSY	USED ON			
APPLICATION	DO NOT SCALE DRAWING			

TITLE: TCS 250LS (3p) Boiler ASSY

SIZE	DWG. NO.	REV
C	52502_SM	--
SCALE: 1:48   WEIGHT: 20418.55   SHEET 1 OF 1		

4

3

2

1