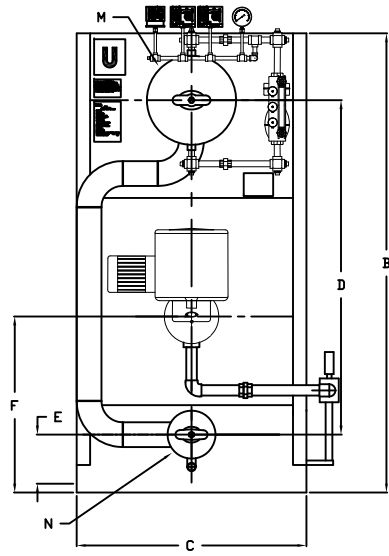
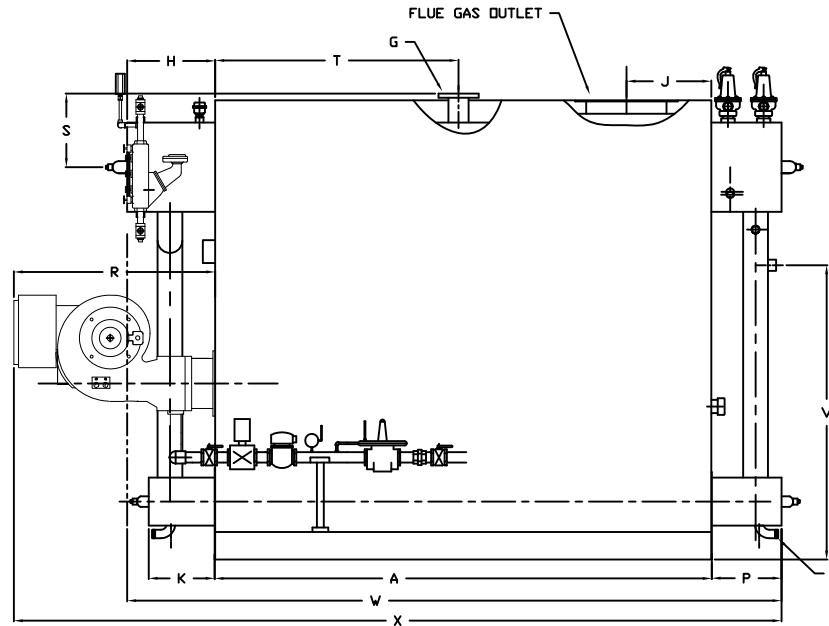


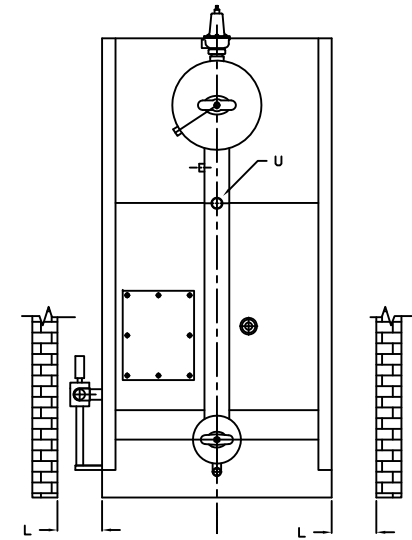
PLAN



FRONT VIEW



SIDE VIEW



REAR VIEW

	INCHES	METRIC
BOILER MODEL - ZF800HS		
A	111 1/2	2832
A1	-	-
B	102 13/16	2611
C	51 1/2	1308
D	75	1905
E	12 13/16	325
F	38 5/16	973
G	6	152
H	19 5/8	498
J	19	483
K	14 5/8	371
L	34	864
M	20	508
N	10 3/4	273
O	18	457
P	15 7/16	392
Q	1 1/2	38
R	46	1168
S	16 1/2	419
T	54 3/4	1391
U	1 1/2	38
V	65 13/16	1672
W	146 9/16	3723
X	173 1/16	4396

NOTE: DIMENSIONS SUBJECT TO CHANGE WITHOUT NOTICE
CONSULT FACTORY FOR CERTIFIED DIMENSIONS.

UNILUX BOILER CORP.
140 Hanlan Road
Woodbridge, Ontario L4L 3P6
Ph: (905) 851-3981 Fax: (905) 851-3987

THIS DRAWING CONSIDERED A CONFIDENTIAL, PROPRIETARY DESIGN. ALL RIGHTS FOR REPRODUCTION, MANUFACTURING OR PATENT ARE RESERVED BY UNILUX BOILER CORP.

PROJECT:	
LOCATION:	
Model Sizes:	ZF 700LS
BURNER	
ELECTRIC	
SUPPLY PSI	
Drawn By :	Date :
Checked By :	Date :
Drawing No.:	Scale :
File No. :	REV.: 00