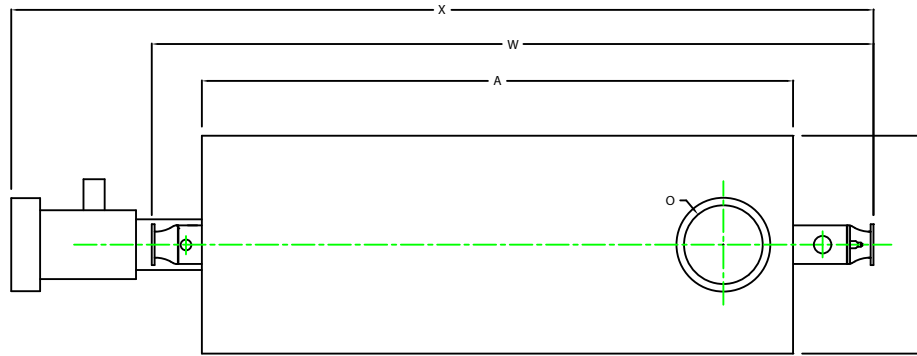
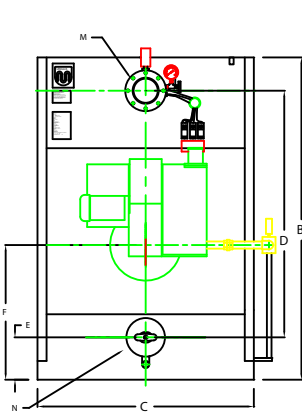


# ZF2000W

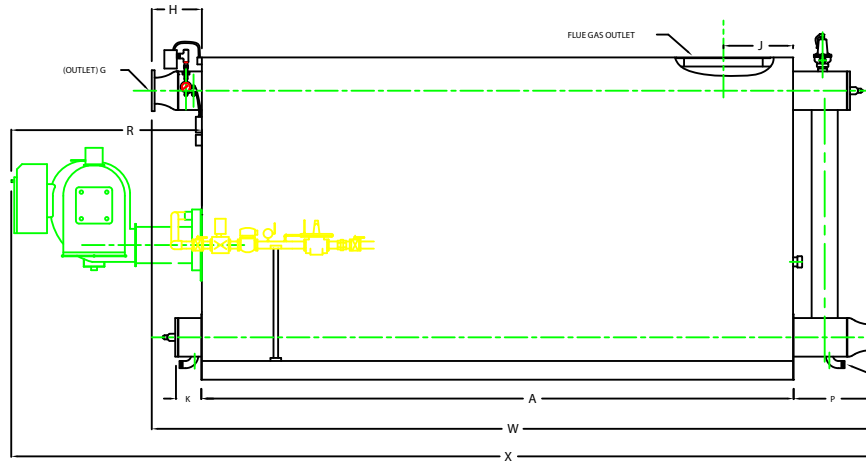


PLAN

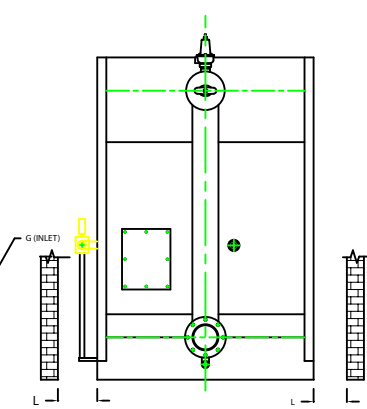
CHIMNEY FLANGE DIMS:  
 O.D. = 31"  
 I.D. = 26-1/4"  
 B.C.D = 28-1/2"  
 NO. OF HOLES = 12  
 HOLE DIAMETER = 0.53"



FRONT VIEW



SIDE VIEW




REAR VIEW

	INCHES	METRIC
I BOILER MODEL - ZF2000W		
A LENGTH OF BASE	195 3/4	4922
A1 LENGTH OF SUPPORT FROM BASE		
B HEIGHT	106 1/2	2705
C WIDTH OF BASE	71 1/2	1816
D CTR. LOWER DRUM TO CTR. UPPER DRUM	81 1/2	2070
E CENTER OF LOWER DRUM TO BOTTOM	14	350
F CENTER OF BURNER OPENING TO BOTTOM	44 1/2	1130
G INLET / OUTLET FLANGE, CLASS 150	8	203
H NOZZLE CLEARANCE FROM TOP FRONT	17 7/8	435
I CENTER OF FLUE GAS OUTLET TO RH	23	580
K DRUM CLEARANCE FROM BASE, FRONT	8 5/8	189
L TUBE REMOVAL CLEARANCE FROM BASE	54	1372
M UPPER DRUM, OD, NPS	12 3/4	324
N LOWER DRUM, OD, NPS	12 3/4	324
O FLUE GAS OUTLET, ID	26	660
P NOZZLE CLEARANCE FROM BASE, REAR	27 7/8	689
Q BLOWDOWN, NET	2	51
R BURNER DIMENSION	63	1600
W OVERALL BOILER LENGTH	249	6298
X OVERALL BOILER LENGTH WITH BURNER	295 7/8	7261

NOTE: "X" DIMENSION MAY VARY BASED ON BURNER

NOTE: DIMENSIONS SUBJECT TO CHANGE WITHOUT NOTICE  
 CONSULT FACTORY FOR CERTIFIED DIMENSIONS.

 <b>LUNILUX ADVANCED MFG. LLC</b> 40 COMMERCIAL PARK DRIVE ROSKATON, NY 12129 Ph: (518) 344-7490 Fax: (518) 344-7495			
<small>ALL DIMENSIONS UNLESS OTHERWISE SPECIFIED ARE IN INCHES. ALL RIGHTS FOR REPRODUCTION, DISTRIBUTION OR RETAIL ARE RESERVED BY DESIGNER OR SUPPLIER.</small>			
<b>PROJECT:</b>			
<b>LOCATION:</b>			
<b>Model Sizes:</b> ZF 2000W			
<b>BURNER:</b>			
<b>FLUE GRC:</b>			
<b>SUPPLY PSI:</b>			
<b>Drawn By:</b> RIZ RACAZA		<b>Date:</b> 05/20/2020	
<b>Checked By:</b> DANIEL KANONKA		<b>Drawn By:</b> OSALDES	
<b>Drawing No.:</b> 08000000		<b>Scale:</b> NTS	
<b>File No.:</b> 18000000		<b>REV:</b> 0	