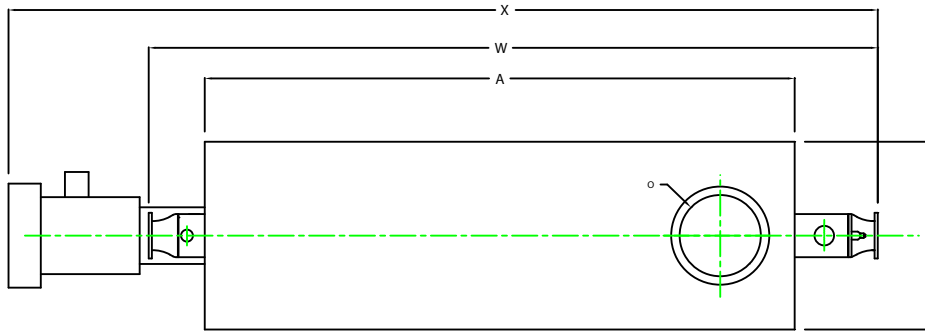
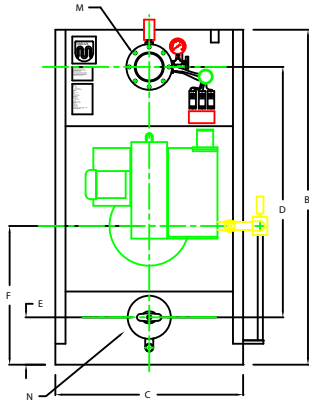


ZF1400W

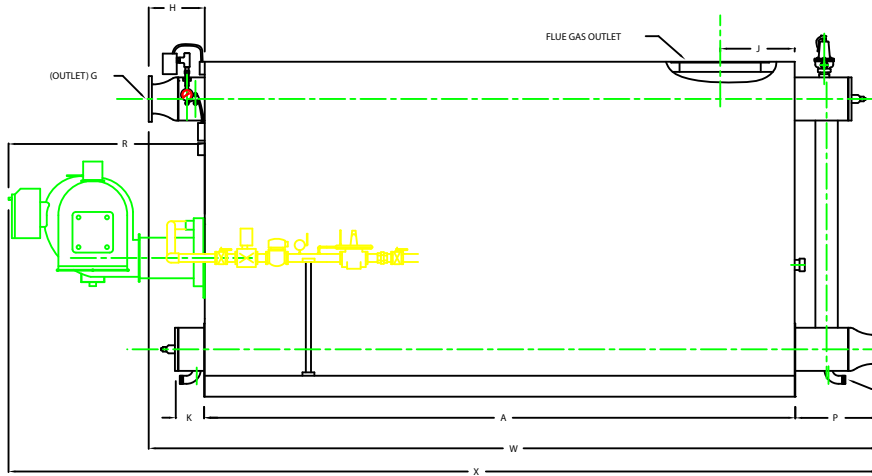


CHIMNEY FLANGE DIMS:
 O.D. = 29"
 I.D. = 24-1/4"
 B.C.D = 26-1/2"
 NO. OF HOLES = 12
 HOLE DIAMETER = 0.53"

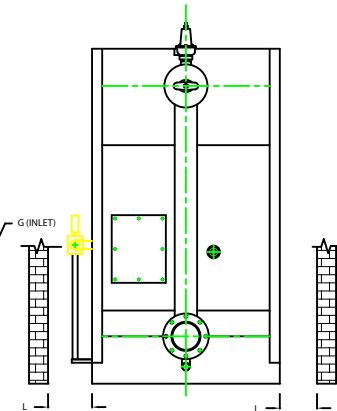
PLAN



FRONT VIEW



SIDE VIEW



REAR VIEW

	BOILER MODEL - ZF1400W	INCHES	METRIC
A	LENGTH OF BASE	174 3/4	4439
A1	LENGTH OF SUPPORT FROM BASE	-	-
B	HEIGHT	99	2515
C	WIDTH OF BASE	55 1/2	1410
D	CTR. LOWER DRUM TO CTR. UPPER DRUM	74	1880
E	CENTER OF LOWER DRUM TO BOTTOM	14	356
F	CENTER OF BURNER OPENING TO BOTTOM	41	1041
G	INLET / OUTLET FLANGE CLASS 150	8	203
H	NOZZLE CLEARANCE FROM TOP, FRONT	17 1/8	435
J	CENTER OF FLUE GAS OUTLET TO REAR	22	559
K	DRUM CLEARANCE FROM BASE, FRONT	8 5/8	219
L	TUBE REMOVAL CLEARANCE FROM BASE	38	965
M	UPPER DRUM, OD, NPS	12 3/4	324
N	LOWER DRUM, OD, NPS	12 3/4	324
O	FLUE GAS OUTLET, ID	24	610
P	NOZZLE CLEARANCE FROM BASE, REAR	25 1/8	638
Q	BLOWDOWN, NPT	2	51
R	BURNER DIMENSION	58	1473
W	OVERALL BOILER LENGTH	217	5512
X	OVERALL BOILER LENGTH WITH BURNER	257 7/8	6550

NOTE: "X" DIMENSION MAY VARY BASED ON BURNER

NOTE: DIMENSIONS SUBJECT TO CHANGE WITHOUT NOTICE
 CONSULT FACTORY FOR CERTIFIED DIMENSIONS.

UNILUX ADVANCED MFG. LLC 30 COMMERCIAL PARK DRIVE NISKAYUNA, NY 12099 Ph: (518) 344-7490 Fax: (518) 344-7495	
<small>THIS DRAWING IS UNLESS OTHERWISE SPECIFIED THE PROPERTY OF UNILUX. ALL RIGHTS FOR REPRODUCTION, MODIFICATION OR DISTRIBUTION ARE RESERVED BY UNILUX ADVANCED MFG. LLC.</small>	
PROJECT:	-
LOCATION:	-
Model Sizes:	ZF-1400W
BURNER:	-
ELECTRIC:	-
SUPPLY PSI:	-
Drawn By:	RIZ RACAJA Date: 05/10/20
Checked By:	DAVID RAMSON Date: 05/10/20
Drawing No.:	QB00000 Scale: NTS
File No.:	J800000 REV: 0