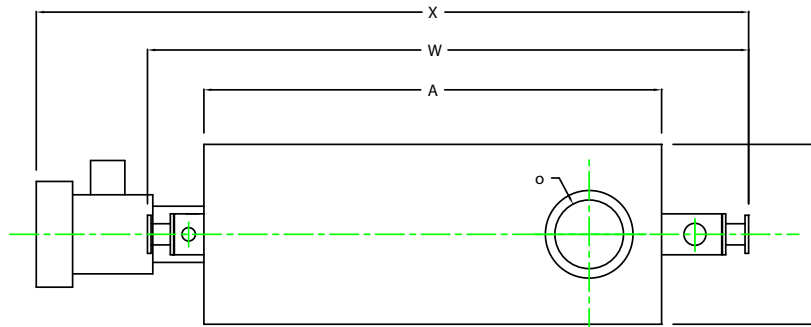
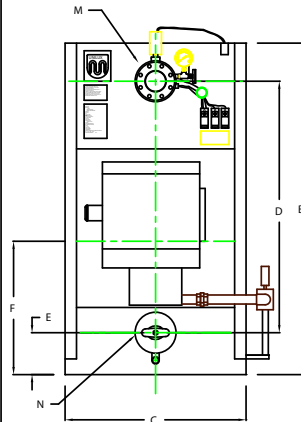


# ZF0700W

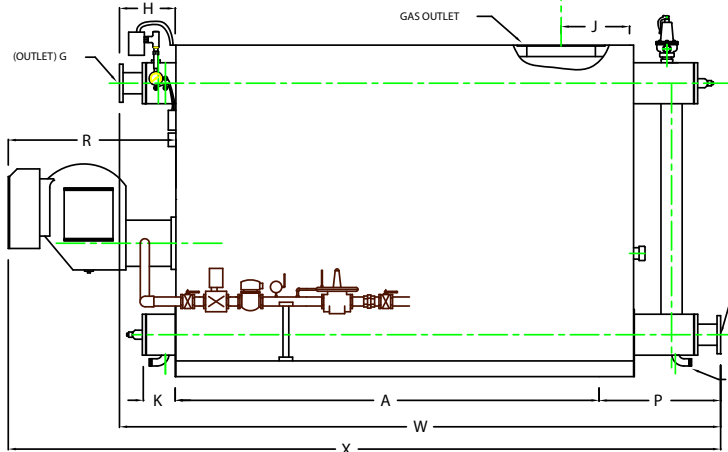


PLAN

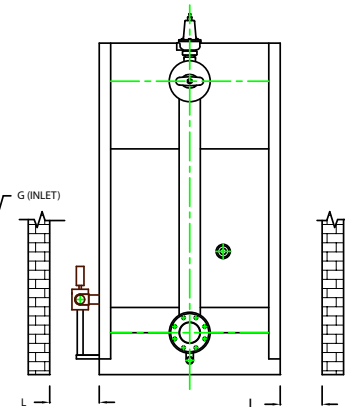
CHIMNEY FLANGE DIMS:  
 O.D. = 23"  
 I.D. = 18-1/4"  
 B.C.D = 20-1/2"  
 NO. OF HOLES = 8  
 HOLE DIAMETER = 0.53"



FRONT VIEW



SIDE VIEW



REAR VIEW

	BOILER MODEL - ZF700W	INCHES	METRIC
A	LENGTH OF BASE	120 1/2	3061
A1	LENGTH OF SUPPORT FROM BASE	-	-
B	HEIGHT	87	2210
C	WIDTH OF BASE	47 1/2	1207
D	CTR. LOWER DRUM TO CTR. UPPER DRUM	66	1676
E	CENTER OF LOWER DRUM TO BOTTOM	11	279
F	CENTER OF BURNER OPENING TO BOTTOM	35	889
G	INLET / OUTLET FLANGE, CLASS 150	5	127
H	NOZZLE CLEARANCE FROM TOP FRONT	14 1/4	362
J	CENTER OF FLUE GAS OUTLET TO REAR	19	483
K	DRUM CLEARANCE FROM BASE, FRONT	8 5/8	219
L	TUBE REMOVAL CLEARANCE FROM BASE	30	762
M	UPPER DRUM, OD, NPS	10 3/4	273
N	LOWER DRUM, OD, NPS	10 3/4	273
O	FLUE GAS OUTLET, ID	18	457
P	NOZZLE CLEARANCE FROM BASE, REAR	22 5/8	575
Q	BLOWDOWN, NPT	1 1/2	38
R	BURNER DIMENSION	44	1118
W	OVERALL BOILER LENGTH	157 3/8	3997
X	OVERALL BOILER LENGTH WITH BURNER	187 1/8	4753

NOTE: "X" DIMENSION MAY VARY BASED ON BURNER

NOTE: DIMENSIONS SUBJECT TO CHANGE WITHOUT NOTICE  
 CONSULT FACTORY FOR CERTIFIED DIMENSIONS.

	UNILUX ADVANCED MFG., LLC 30 COMMERCE PARK DRIVE NISKAYUNA, NY 12309 Ph: (518) 344-7490 Fax: (518) 344-7495		
	<small>THIS DRAWING PROVIDES A CONFIDENTIAL, PROPRIETARY DESIGN. ALL RIGHTS FOR REPRODUCTION, MANUFACTURING OR SERVICE ARE RESERVED BY UNILUX UNDER CODE.</small>		
PROJECT:			
LOCATION:			
Model Sizes:	ZF 700W		
BURNER:			
ELECTRIC:			
SUPPLY PS:			
Drawn By:	RIZ RACAIZA	Date:	05AUG09
Checked By:	DAVID RAMSON	Date:	05AUG09
Drawing No.:	QB000000	Scale:	NTS
File No.:	3B000000	REV:	0