

4

3

2

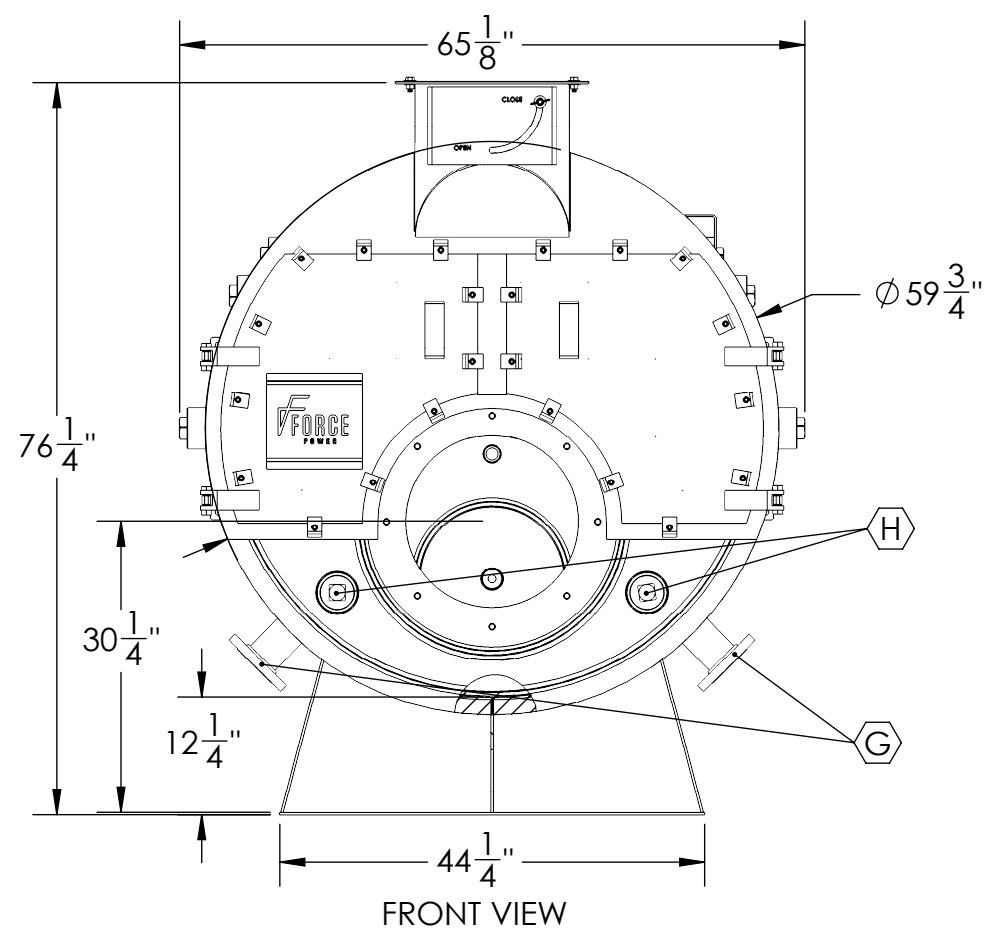
1

| BOILER DATA | |
|------------------------|-------|
| OPERATING VOLUME (USG) | 860 |
| OPERATING WEIGHT (LBS) | 16500 |
| HEAT INPUT (MBH) | 3680 |
| OUTPUT (HP) | 90 |

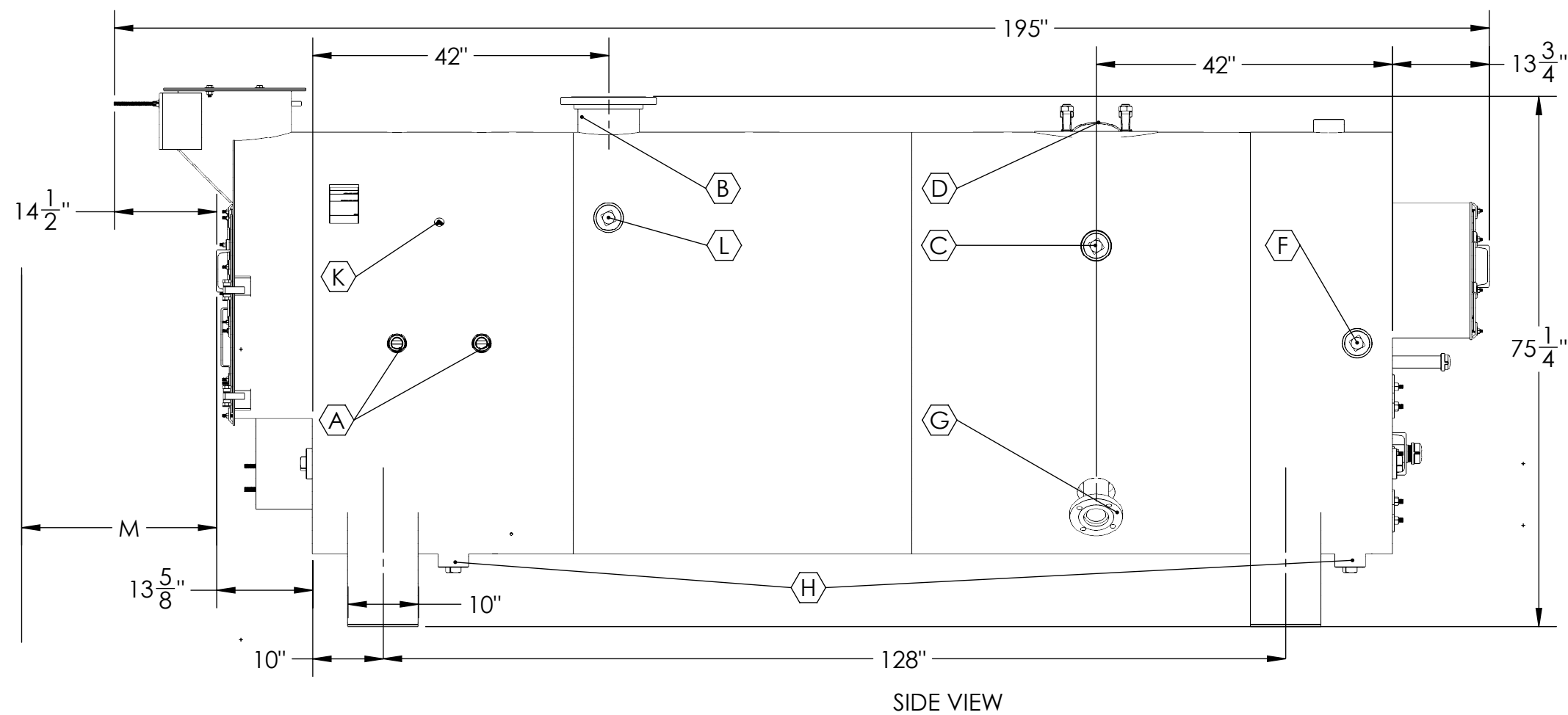
| VENT FLANGE DIMENSIONS | |
|------------------------|--------|
| OD | 20-1/8 |
| ID | 16 |
| B.C.D. | 2918.5 |
| NO. OF HOLES | 8 |
| HOLE DIAMETER | 1/2 |

| CONNECTION SCHEDULE | | | | |
|---------------------|---------------------------|-------------|---------------|--------|
| TAG | DESCRIPTION | CONNECTION | | |
| | | SIZE (INCH) | TYPE | RATING |
| A* | CONTROLS | 1-1/4 | HALF COUPLING | 3000# |
| B | STEAM OUTLETS | 8 | SORF FLANGE | 150# |
| C* | SURFACE BLOWDOWN | 3 | FULL COUPLING | 3000# |
| D | MANHOLE | 12X16 | ELLIPTICAL | |
| E | SAFETY RELIEF VALVE | 3 | FULL COUPLING | 3000# |
| F* | REVERSING CHAMBER WASHOUT | 3 | FULL COUPLING | 3000# |
| G* | CONDENSATE INLET | 3 | SORF FLANGE | 150# |
| H | WASHOUTS | 3 | FULL COUPLING | 3000# |
| J | REAR DOOR | 16 | | |
| K* | LOW FIRE HOLD | 1/2 | FULL COUPLING | 3000# |
| L* | FURNACE INSPECTION | 3 | FULL COUPLING | 3000# |
| M | TUBE PULL | 155 | | |

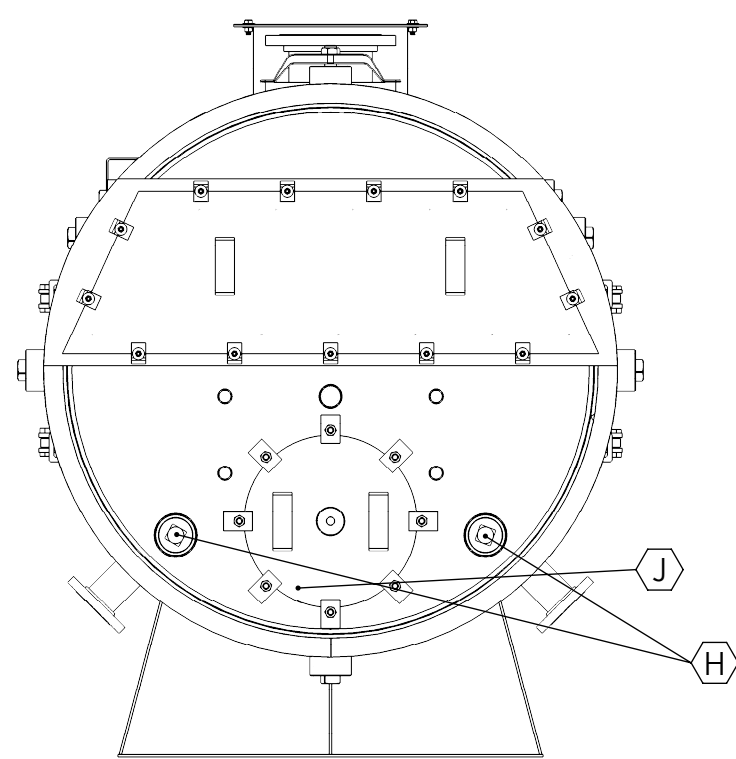
* - Owner chooses left/right installation



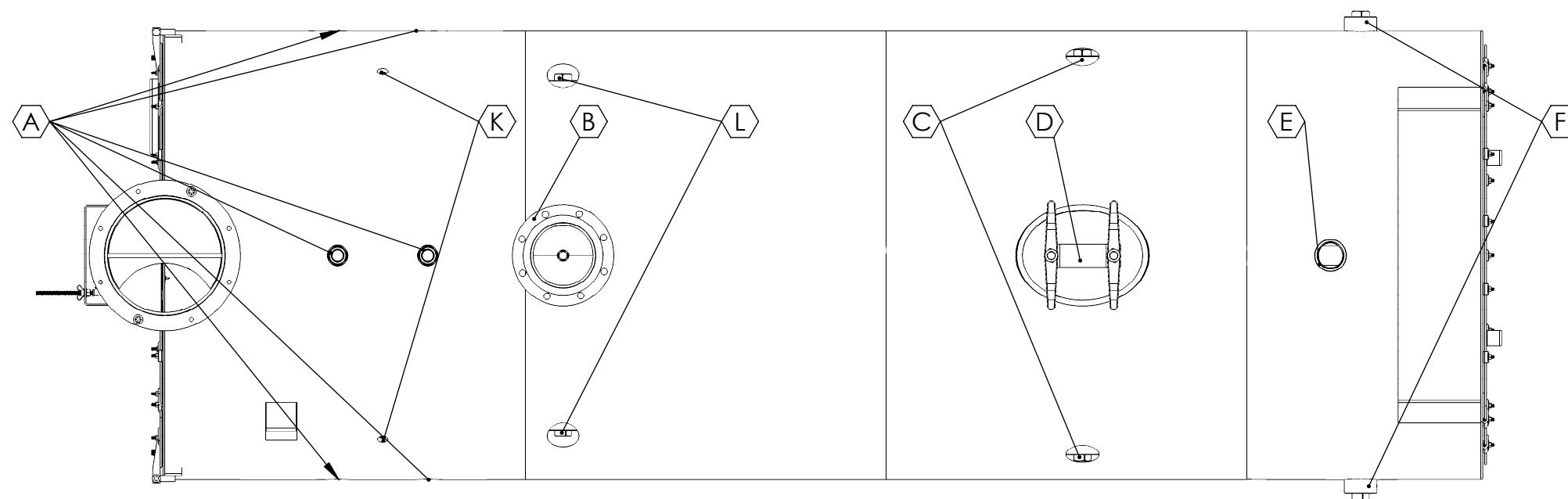
FRONT VIEW



SIDE VIEW



REAR VIEW



TOP VIEW

1. ADEQUATE BOIL OUT PROCEDURES MUST BE IMPLEMENTED BEFORE BOILER PLACED IN SERVICE (SEE OPERATION MANUAL).
2. PROPER WATER TREATMENT PROGRAM IS CRITICAL TO THE OPERATION OF THIS BOILER.
3. WARRANTIES, EXPRESSED OR IMPLIED, WILL BE RENDERED NULL AND VOID IF PROPER WATER TREATMENT PROGRAM IS NOT IMPLEMENTED AND MAINTAINED. CONSULT LOCAL WATER TREATMENT SPECIALISTS FOR DESIGN AND SUPPLY OF REQUIRED WATER TREATMENT SYSTEM
4. ALL DIMENSIONS FOR REFERENCE ONLY.

PROPRIETARY AND CONFIDENTIAL
 THE INFORMATION CONTAINED IN THIS DRAWING IS THE SOLE PROPERTY OF FORCE POWER. ANY REPRODUCTION IN PART OR AS A WHOLE WITHOUT THE WRITTEN PERMISSION OF FORCE POWER IS PROHIBITED.

| UNLESS OTHERWISE SPECIFIED: | | NAME | DATE |
|---|----------------------|-----------|---------------|
| DIMENSIONS ARE IN INCHES | | DRAWN | SR 10/30/2015 |
| TOLERANCES: | | CHECKED | |
| ANGULAR: ± 0.25° | | ENG APPR. | |
| TWO PLACE DECIMAL ± .010" | | MFG APPR. | |
| THREE PLACE DECIMAL ± .005" | | Q.A. | |
| SURFACE FINISH | | COMMENTS: | |
| INTERPRET GEOMETRIC TOLERANCING PER: ANSI Y14.5 | | | |
| MATERIAL SEE NOTE 1 | | | |
| FINISH SEE NOTE 3 | | | |
| NEXT ASSY | USED ON | | |
| APPLICATION | DO NOT SCALE DRAWING | | |

30 Commerce Park Drive
 Niskayuna, NY, 12309, USA
 PH. (518) 377-2349, FAX (518) 344-7495

FORCE

TITLE: TCS-90 Boiler ASSY (4p)

SIZE DWG. NO. REV
C 50912_SM -

SCALE: 1:48 WEIGHT: 10050.02 SHEET 1 OF 1

4

3

2

1