

4

3

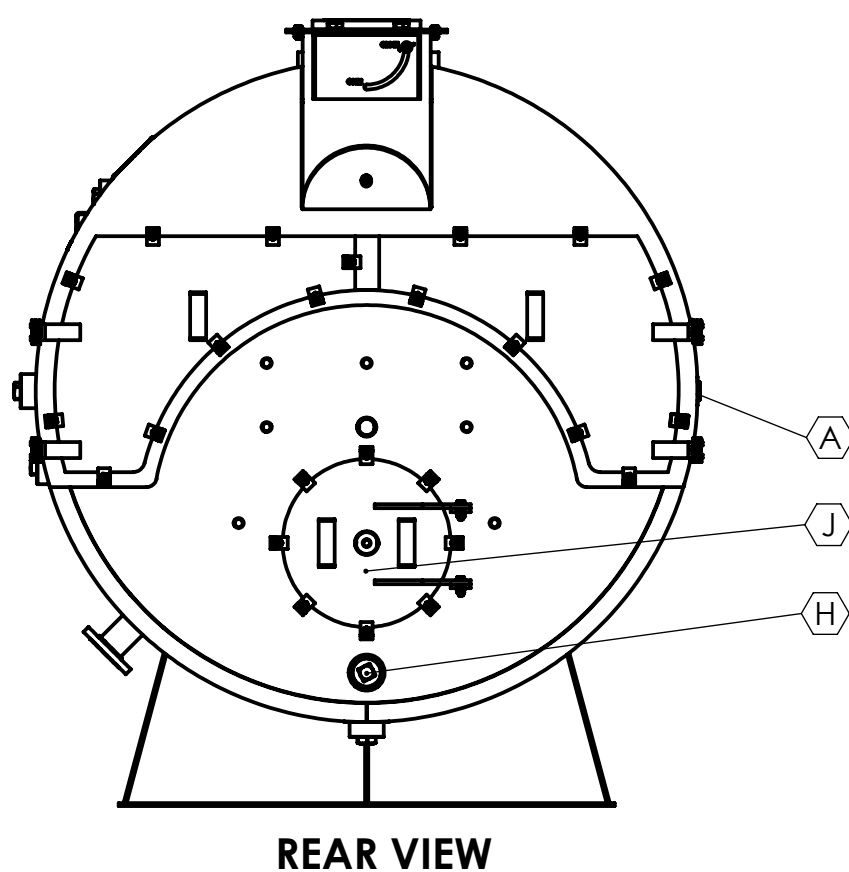
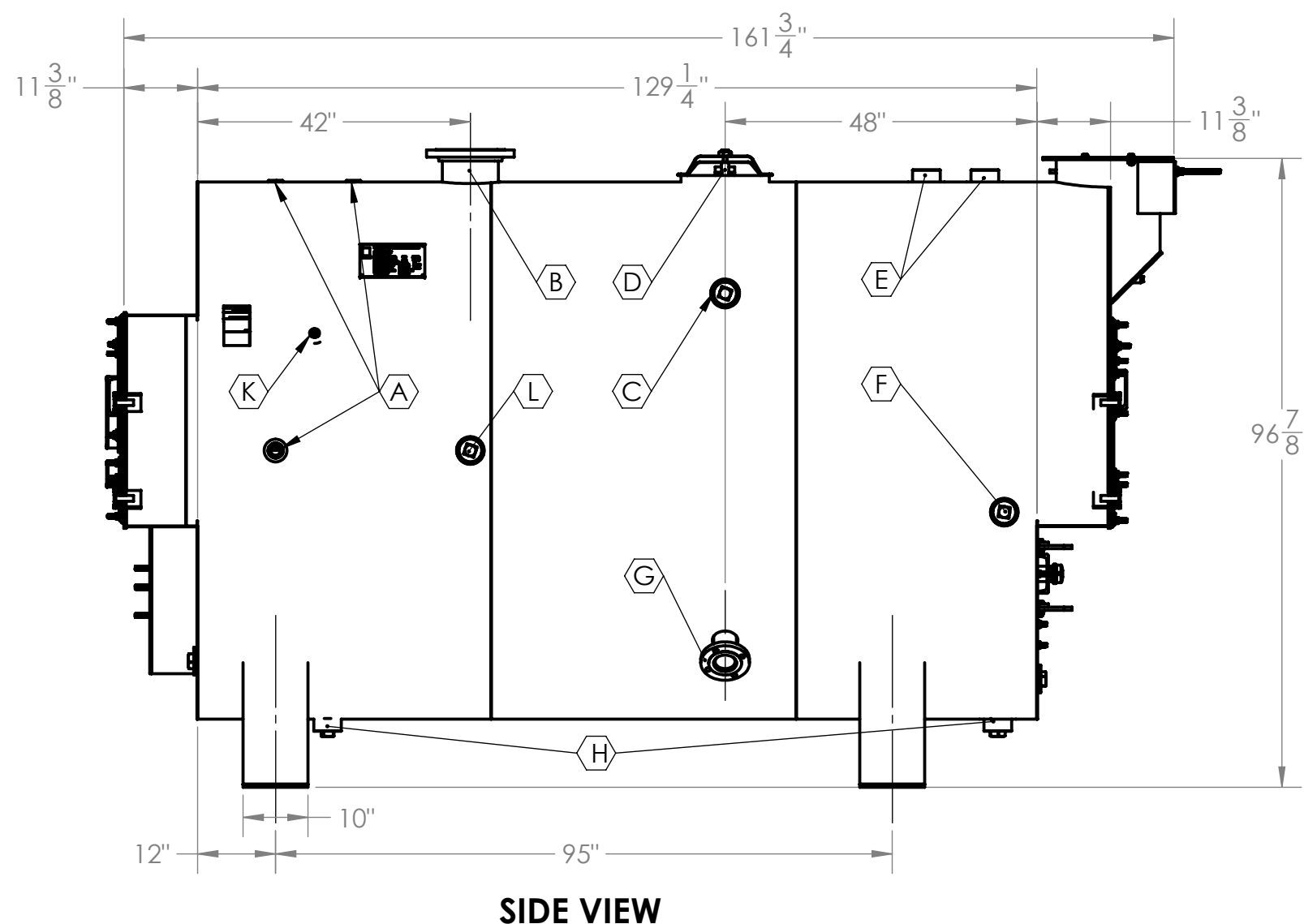
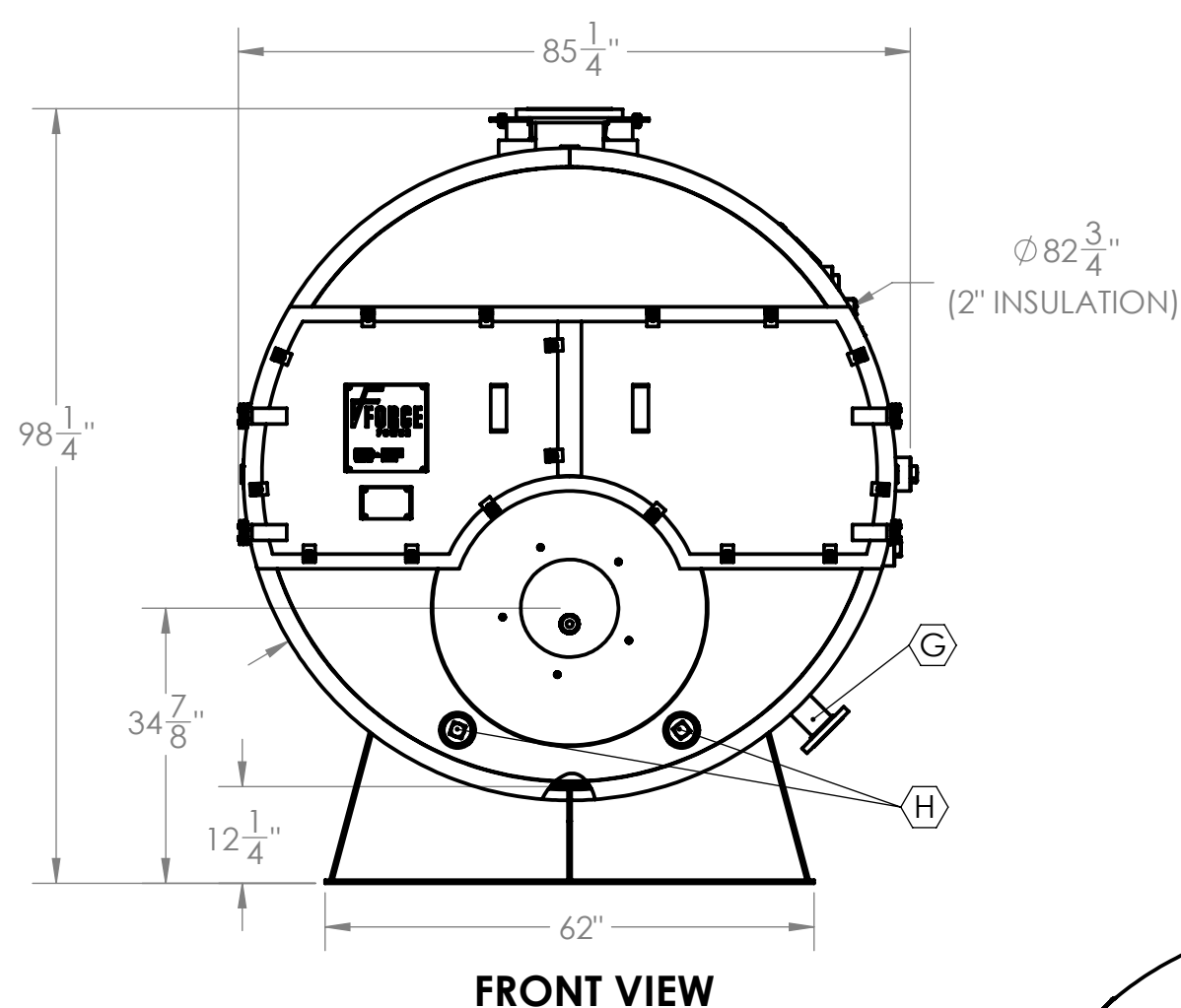
2

1

BOILER DATA	
OPERATING VOLUME (USG)	1210
OPERATING WEIGHT (LBS)	22500
HEAT INPUT (MBH)	6130
OUTPUT (HP)	150

VENT FLANGE DIMENSIONS	
OD	20-1/8
ID	16
B.C.D.	18.5
NO. OF HOLES	8
HOLE DIAMETER	1/2

CONNECTION SCHEDULE				
TAG	DESCRIPTION	CONNECTION		
		SIZE (INCH)	TYPE	RATING
A	CONTROLS	1-1/4	FULL COUPLING	3000#
B	STEAM OUTLETS	8	SORF FLANGE	150#
C	SURFACE BLOWDOWN	3	FULL COUPLING	3000#
D	MANHOLE	12X16	ELLIPTICAL	
E	SAFETY RELIEF VALVE	2-1/2	FULL COUPLING	3000#
F	REVERSING CHAMBER WASHOUT	3	FULL COUPLING	3000#
G	CONDENSATE INLET	3	SORF FLANGE	150#
H	WASHOUTS	3	FULL COUPLING	3000#
J	REAR DOOR	20		
K	LOW FIRE HOLD	3/4	FULL COUPLING	3000#
L	FURNACE INSPECTION	3	FULL COUPLING	3000#
M	TUBE PULL	110		
N	REAR SMOKEBOX CLEARANCE	41		



1. ADEQUATE BOIL OUT PROCEDURES MUST BE IMPLEMENTED BEFORE BOILER PLACED IN SERVICE (SEE OPERATION MANUAL).
2. PROPER WATER TREATMENT PROGRAM IS CRITICAL TO THE OPERATION OF THIS BOILER.
3. WARRANTIES, EXPRESSED OR IMPLIED, WILL BE RENDERED NULL AND VOID IF PROPER WATER TREATMENT PROGRAM IS NOT IMPLEMENTED AND MAINTAINED. CONSULT LOCAL WATER TREATMENT SPECIALISTS FOR DESIGN AND SUPPLY OF REQUIRED WATER TREATMENT SYSTEM
4. ALL DIMENSIONS FOR REFERENCE ONLY.

PROPRIETARY AND CONFIDENTIAL  
 THE INFORMATION CONTAINED IN THIS DRAWING IS THE SOLE PROPERTY OF FORCE POWER. ANY REPRODUCTION IN PART OR AS A WHOLE WITHOUT THE WRITTEN PERMISSION OF FORCE POWER IS PROHIBITED.

UNLESS OTHERWISE SPECIFIED: DIMENSIONS ARE IN INCHES		DRAWN	NAME	DATE
TOLERANCES: ANGULAR: ±5° .XX: ±.010" .XXX: ±.005" FRACTIONS: ± 1/16"		CHECKED	SR	10/30/2015
INTERPRET GEOMETRIC TOLERANCING PER: ANSI Y14.5		ENG APPR.		
MATERIAL SEE NOTE 1		MFG APPR.		
FINISH SEE NOTE 3		Q.A.		
NEXT ASSY	USED ON	COMMENTS:		
APPLICATION		DO NOT SCALE DRAWING		

30 Commerce Park Drive  
 Niskayuna, NY, 12309, USA  
 PH. (518) 377-2349, FAX (518) 344-7495

**FORBE**

TITLE:  
**TCS150LS Boiler ASSY,  
 3P-R-FE**

SIZE DWG. NO. REV  
**C 5015221200 -**

SCALE: 1:48 WEIGHT: 11759.75 SHEET 1 OF 1

4

3

2

1