

4

3

2

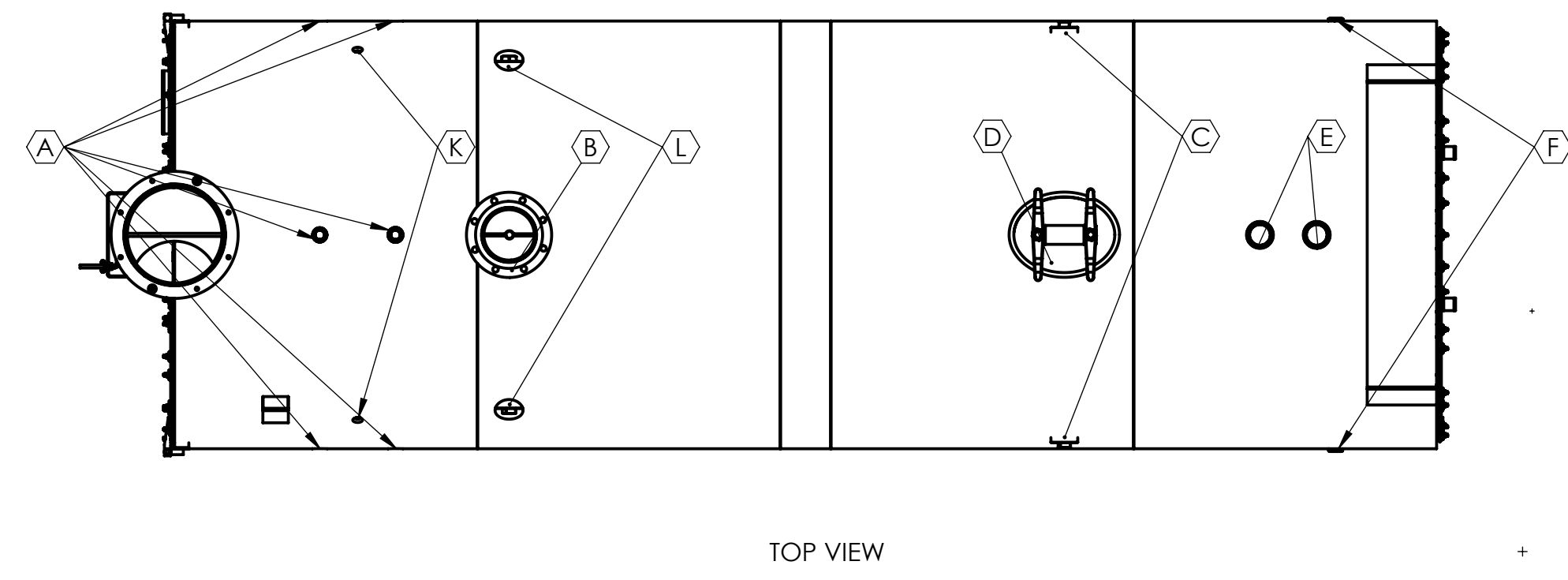
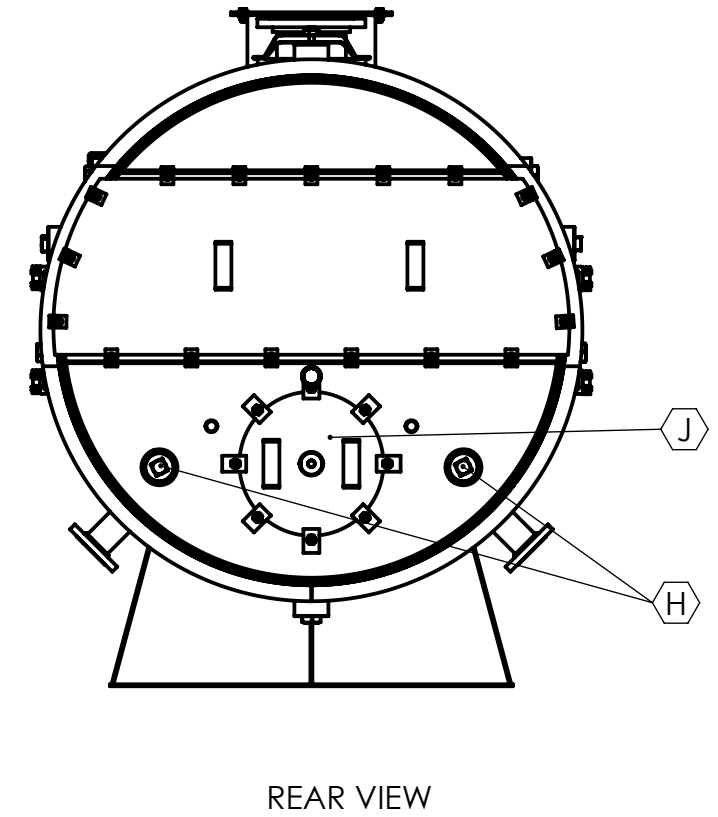
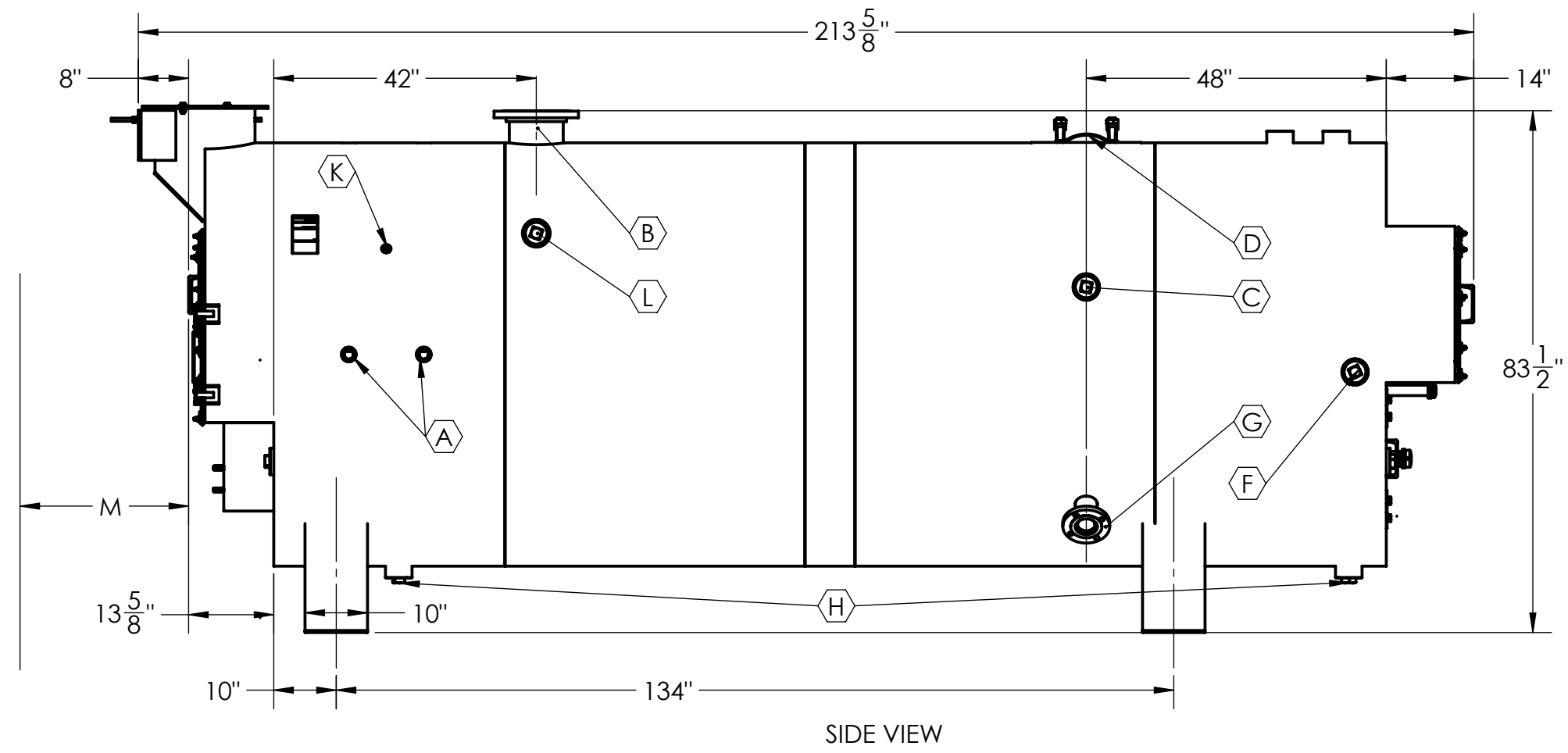
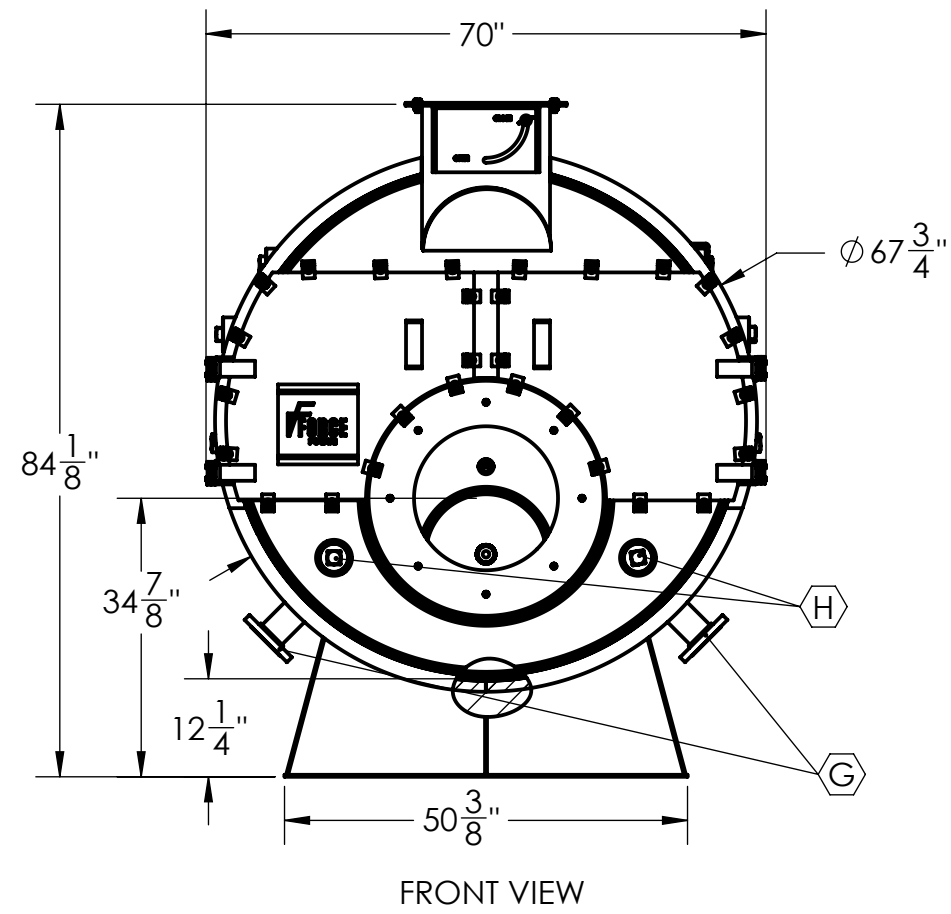
1

BOILER DATA	
OPERATING VOLUME (USG)	1210
OPERATING WEIGHT (LBS)	22500
HEAT INPUT (MBH)	6130
OUTPUT (HP)	150

VENT FLANGE DIMENSIONS	
OD	20-1/8
ID	16
B.C.D.	18.5
NO. OF HOLES	8
HOLE DIAMETER	1/2

CONNECTION SCHEDULE				
TAG	DESCRIPTION	CONNECTION		
		SIZE (INCH)	TYPE	RATING
A*	CONTROLS	1-1/4	HALF COUPLING	3000#
B	STEAM OUTLETS	8	SORF FLANGE	150#
C*	SURFACE BLOWDOWN	3	FULL COUPLING	3000#
D	MANHOLE	12X16	ELLIPTICAL	
E	SAFETY RELIEF VALVE	3	FULL COUPLING	3000#
F*	REVERSING CHAMBER WASHOUT	3	FULL COUPLING	3000#
G*	CONDENSATE INLET	3	SORF FLANGE	150#
H	WASHOUTS	3	FULL COUPLING	3000#
J	REAR DOOR	16		
K*	LOW FIRE HOLD	1/2	FULL COUPLING	3000#
L*	FURNACE INSPECTION	3	FULL COUPLING	3000#
M	TUBE PULL	180		

\* - Owner chooses left/right installation



1. ADEQUATE BOIL OUT PROCEDURES MUST BE IMPLEMENTED BEFORE BOILER PLACED IN SERVICE (SEE OPERATION MANUAL).
2. PROPER WATER TREATMENT PROGRAM IS CRITICAL TO THE OPERATION OF THIS BOILER.
3. WARRANTIES, EXPRESSED OR IMPLIED, WILL BE RENDERED NULL AND VOID IF PROPER WATER TREATMENT PROGRAM IS NOT IMPLEMENTED AND MAINTAINED. CONSULT LOCAL WATER TREATMENT SPECIALISTS FOR DESIGN AND SUPPLY OF REQUIRED WATER TREATMENT SYSTEM.
4. ALL DIMENSIONS FOR REFERENCE ONLY.

**PROPRIETARY AND CONFIDENTIAL**  
 THE INFORMATION CONTAINED IN THIS DRAWING IS THE SOLE PROPERTY OF FORCE POWER. ANY REPRODUCTION IN PART OR AS A WHOLE WITHOUT THE WRITTEN PERMISSION OF FORCE POWER IS PROHIBITED.

UNLESS OTHERWISE SPECIFIED:		NAME	DATE
DIMENSIONS ARE IN INCHES		DRAWN	SR 7/1/2015
TOLERANCES:		CHECKED	
ANGULAR: ± 0.25°		ENG APPR.	
TWO PLACE DECIMAL ± .010"		MFG APPR.	
THREE PLACE DECIMAL ± .005"		Q.A.	
SURFACE FINISH		COMMENTS:	
INTERPRET GEOMETRIC TOLERANCING PER: ANSI Y14.5			
MATERIAL SEE NOTE 1			
FINISH SEE NOTE 3			
NEXT ASSY	USED ON		
APPLICATION			
			DO NOT SCALE DRAWING

30 Commerce Park Drive  
 Niskayuna, NY, 12309, USA  
 PH. (518) 377-2349, FAX (518) 344-7495

**FORCE**

TITLE: TCS-150LS Boiler ASSY (4p)

SIZE DWG. NO. REV  
**C** 51512\_SM --

SCALE: 1:48 WEIGHT: 13462.73 SHEET 1 OF 1

4

3

2

1