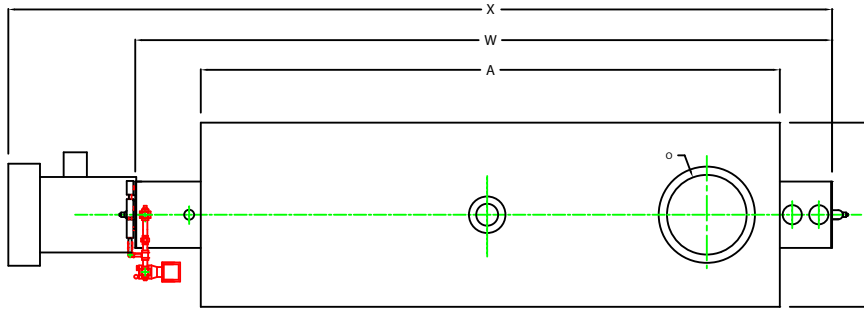
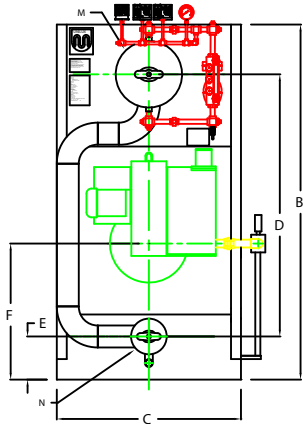


ZF1400HS

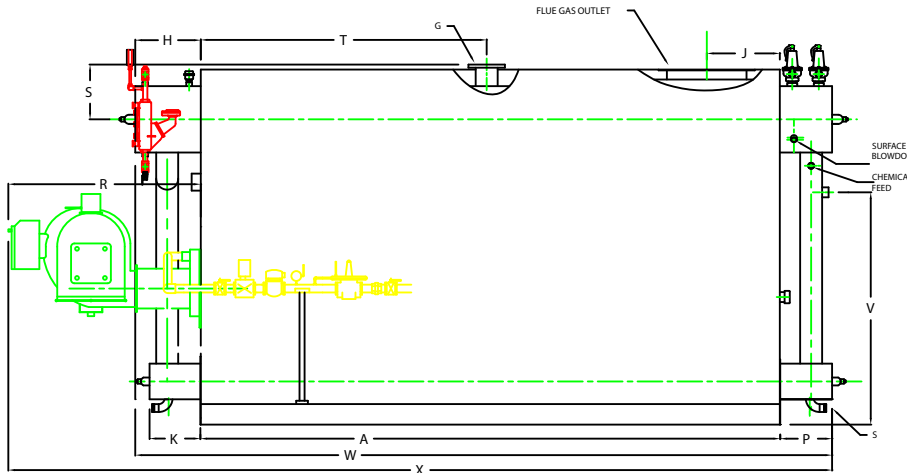


PLAN

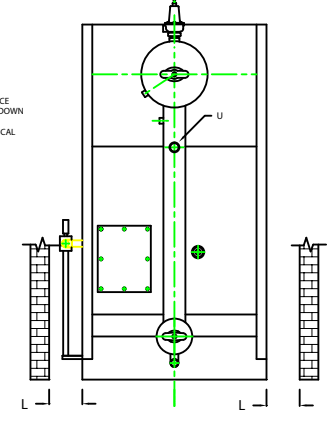
CHIMNEY FLANGE DIMS:
 O.D. = 29"
 I.D. = 24-1/4"
 B.C.D = 26-1/2"
 NO. OF HOLES = 12
 HOLE DIAMETER = 0.53"



FRONT VIEW



SIDE VIEW



REAR VIEW

NOTE: DIMENSIONS SUBJECT TO CHANGE WITHOUT NOTICE
 CONSULT FACTORY FOR CERTIFIED DIMENSIONS.

BOILER MODEL - ZF1400HS	INCHES	METRIC
A LENGTH OF BASE	174 7/8	4442
A1 LENGTH OF SUPPORT FROM BASE	-	-
B HEIGHT	106 13/16	2713
C WIDTH OF BASE	55 1/2	1410
D CTR. LOWER DRUM TO CTR. UPPER DRUM	79	2007
E CENTER OF LOWER DRUM TO BOTTOM	12 13/16	325
F CENTER OF BURNER OPENING TO BOTTOM	40 5/16	1024
G OUTLET FLANGE CLASS 300	6	152
H DRUM CLEARANCE FROM TOP FRONT	20 7/8	530
J CENTER OF FLUE GAS OUTLET TO REAR	22	559
K DRUM CLEARANCE FROM BASE, FRONT	16	406
L TUBE REMOVAL CLEARANCE FROM BASE	38	965
M UPPER DRUM, OD, NPS	20	508
N LOWER DRUM, OD, NPS	10 3/4	273
O FLUE GAS OUTLET, I.D.	24	610
P DRUM CLEARANCE FROM BASE, REAR	16 2/8	416
Q1 BLOWDOWN, NPS	2	51
R BURNER DIMENSION	58	1473
S CENTER OF TOP DRUM TO TOP OF OUTLET	16 1/2	419
T CENTER OF OUTLET TO ENCLOSURE FRONT	86 5/16	2192
U 1" INLET, 3000 PSI, ASA HALF COUPLING	2	51
V FEEDWATER INLET FROM BASE	69 13/16	1773
W OVERALL BOILER LENGTH	212 1/8	5388
X OVERALL BOILER LENGTH W/ BURNER	249 1/4	6331

NOTE: "X" DIMENSION MAY VARY BASED ON BURNER

UNILUX ADVANCED MFG., LLC.
 80 COMMERCE PARK DRIVE
 NISKAYUNA, NY 12309
 Ph: (518) 344-7492 Fax: (518) 344-7495

PROJECT:	
LOCATION:	
BURNER:	
ELECTRIC:	
SUPPLY PSI:	
Model Size:	ZF 1400HS
Drawn By:	RIZ RACAZA
Checked By:	DAVID RAMSON
Drawing No.:	QB00000
File No.:	JB00000
Date:	05AUG09
Date:	05AUG09
Scale:	NTS
REV:	0